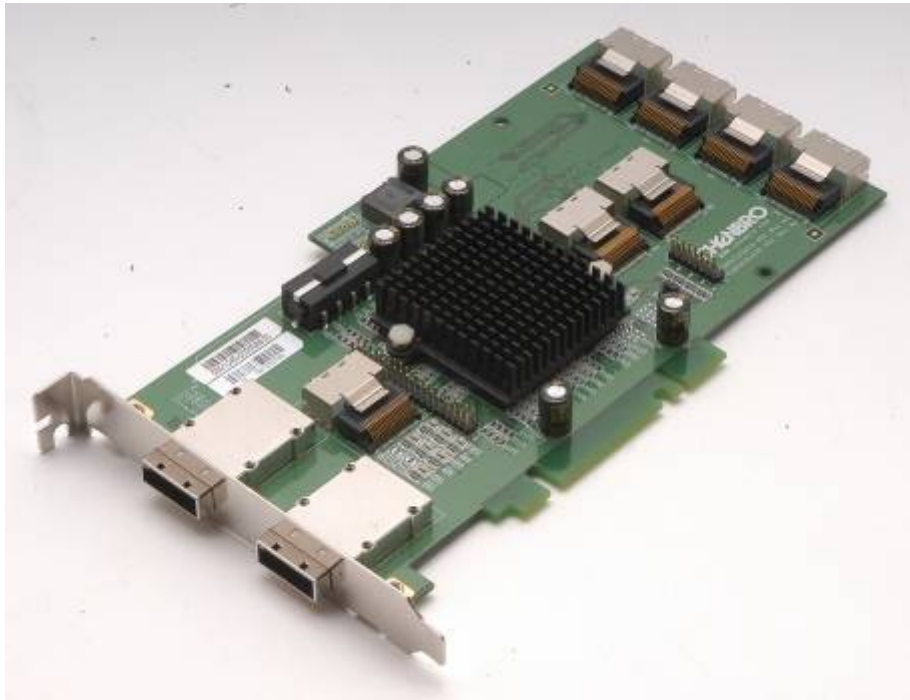


CHENBRO



CK13601

36-port SAS Expander Card User's Manual

Version A1

February / 20 / 2009

Copyright

Copyright © 2008 CHENBRO Micom Co., Ltd.. All rights reserved.

Unless otherwise indicated, all materials in this manual are copyrighted by CHENBRO Micom Co., Ltd.. All rights reserved. No part of this manual, either text or image may be used for any purpose other than internal use within purchasing company. Therefore, reproduction, modification in any form or by any means, electronic, mechanical or otherwise, for reasons other than internal use, is strictly prohibited without prior written permission.

CHENBRO Micom Co., Ltd. reserves the right to make improvement and modification to the products indicated in this manual at any time. Specifications are therefore subject to change without prior notice.

Information provided in this manual is intended to be accurate and reliable. However, CHENBRO Micom Co., Ltd., assumes no responsibility for its use, nor for any infringements upon the rights of third parties, which may result from its use.

Trademark

All registered and unregistered trademarks and company names contained in this manual are property of their respective owners including, but not limited to the following.

intel is trademark of intel Corporation. LSI is trademark of LSI Corporation. Adaptec is trademark of Adaptec Inc. 3Ware is trademark of AMCC Corporation. Areca is trademark of Areca Technology Corporation.

Technical Support

CHENBRO works hard to offer our customers maximum performance from our chassis. But in case you have any problem with our product you can find supports from the following resources.

Web Support

Detail information of our products is in our website. You can find technical updates, installation guides, FAQs, technical specifications and more. Our web address is: www.chenbro.com.

Email Support

You can also fill out the technical support form at our [Technical Support](#) page. Your technical issue inquiries will be sent directly to our support professionals.

Phone Support

You can also contact CHENBRO HQ or branch office for immediate support; their contact information is as following:

CHENBRO HQ	CHENBRO Europe B.V.	CHENBRO Micom (USA) Inc.
Tel: 886-2-8226-5500	Tel: 31-40-295-2045	Tel: 1-909-947-3200
Fax: 886-2-8226-5423	Fax: 31-40-295-2044	Fax : 1-909-947-4300

Contents

Copyright	2
Trademark	2
Technical Support	2
Contents	3
Revision History	4
Safety Information	5
Conventions Used in this Manual	5
Getting Start with SAS (Serial Attached SCSI) Expander Card	6
Unpacking and Checking the Contents	6
Technical Specifications	6
Introduction	7
About this Guide	7
Introducing the SAS Expander Card	7
Features	8
General	8
High-Speed I/O	8
Application	8
SAS Expander Card Hardware	9
SAS Expander Card Layout	9
Device LED Definition	10
Firmware Setting Jumper	10
Mechanical Dimension	11
Mini-SAS Cables	12
Chassis Assembly Example	14
Example for Host Application (RM51424 / RM51924B)	14
Compatible SAS RAID Cards	15

Revision History


Date	Modifications
July / 10 / 2008	● First Release
Aug. / 20 / 2008	● Update supported SAS RAID cards
Oct. / 15 / 2008	● Update Mini-SAS Cable List
Feb. / 20 / 2009	● Update compatible SAS RAID cards & Mini-SAS Cable List

Safety Information

- Read the installation instructions before connecting to the power source.
- Only trained and qualified personnel should be allowed to install, replace or service this equipment.
- Never install this product in a wet environment.
- Position system cables and power cables carefully; route system cable and the power cable and plug so that they cannot be stepped on or tripped over. Be sure that nothing rests on your system component cables or power cable.

Conventions Used in this Manual

The following conventions are used in this manual.

	Note Icon: Provides more information on the current topic.
---	--



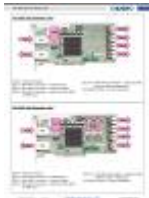
	Important Icon: Provides important information on the current topic that must not be overlooked.
--	--

Getting Start with SAS (Serial Attached SCSI) Expander Card

Thank you for purchasing CHENBRO SAS Expander Card! This section covers unpacking and identifying components.

Unpacking and Checking the Contents

The complete package includes the following items:

Item Description	Quantity	Picture
SAS Expander Card	1	
Mini-SAS Cable, 350mm	1	
Quick Guide	1	

Technical Specifications

Mini-SAS Ports	Internal Input from SAS RAID Card : 4-port (1x Mini-SAS) Internal Output to Backplane : 24-port (6x Mini-SAS) External Input from Host : 4-port (1x Mini-SAS) External Output to Storage Center : 4-port (1x Mini-SAS)
Number of Supported SAS / SATA in directly connection of HDD	24 HDDs (Internal connection)
Mechanical Dimension	Refer to Page 11
Power Connector Type	4-Pin Connector
Power Dissipation	12 Watts

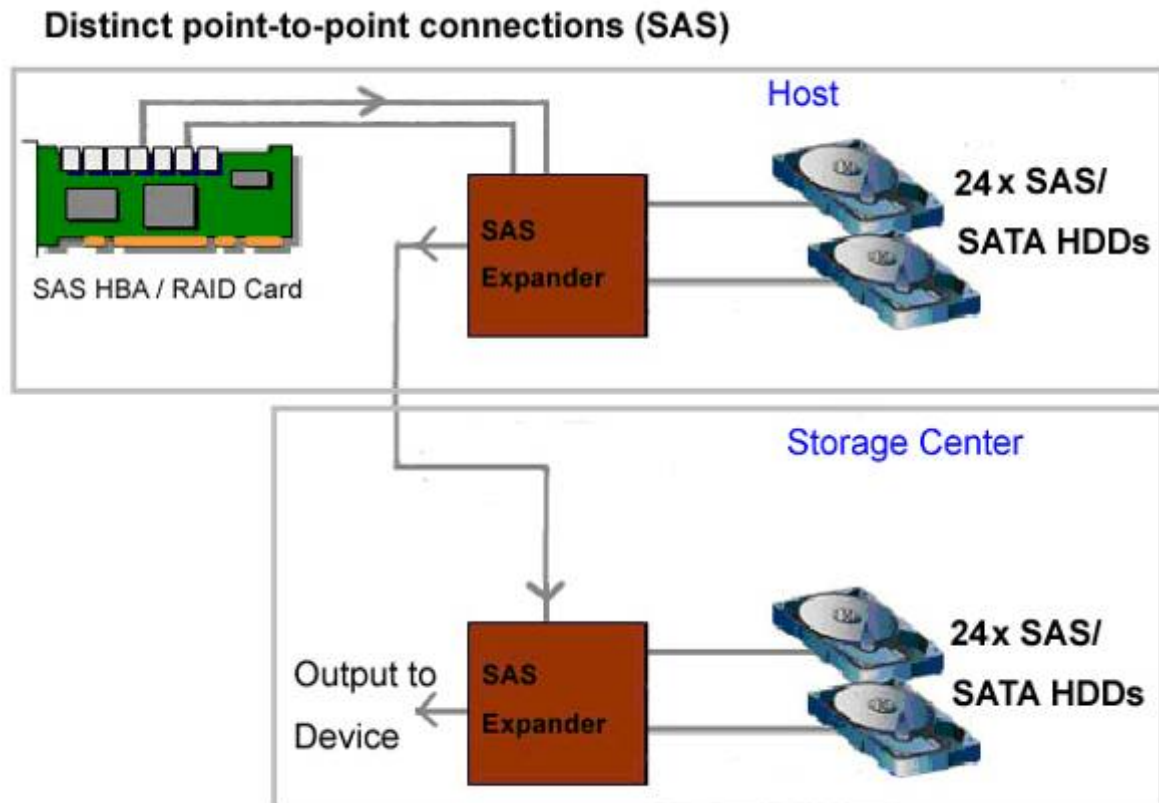
Introduction

About this Guide

The SAS expander card user's manual provides the information for functions, capabilities, configuring and maintaining RAID arrays hosted by the expander card.

Introducing the SAS Expander Card

SAS expander card expands one SAS address to a number of additional ports. It is an optimal device for usage in data centers



The CHENBRO 36-port SAS expander card provides high performance, high disk drive connectivity, scalability and flexibility in various storage environments. It is a valuable solution to other expansive and complex topologies. The SAS expander is ideal for high availability, scalable server clustering environments, front-end storage subsystems used in clusters, SANs and NAS environments.

The CHENBRO SAS Expander is based on LSI SASX36 IC that enables the connection of multiple drive devices in directly attached SAS or SATA. Each expander PHY performs SAS and SATA transfer rate at 3.0 Gbit/s or 1.5 Gbit/s with individual configurations. The SAS expander IC supports the Serial SCSI Protocol (SSP), SATA Tunneled Protocol (STP) and Serial Management Protocol (SMP). Those are based on SAS protocol and described in the SAS standard v1.0 and V1.1.

Features

General

- Flexible application of 36-port SAS Expander Card
- Compatible with PCI-Express 4X, 8X, 16X & PCI slots on motherboard
- Integrated non-blocking cross bar switch allowing port to port connections

High-Speed I/O

- 1.5 Gbit/s or 3.0 Gbit/s operations
- Automatic negotiation of linking speed

Application

- SAS / SATA HDD NAS storage sever or enclosure
- Security system
- Video streaming / editing workstation



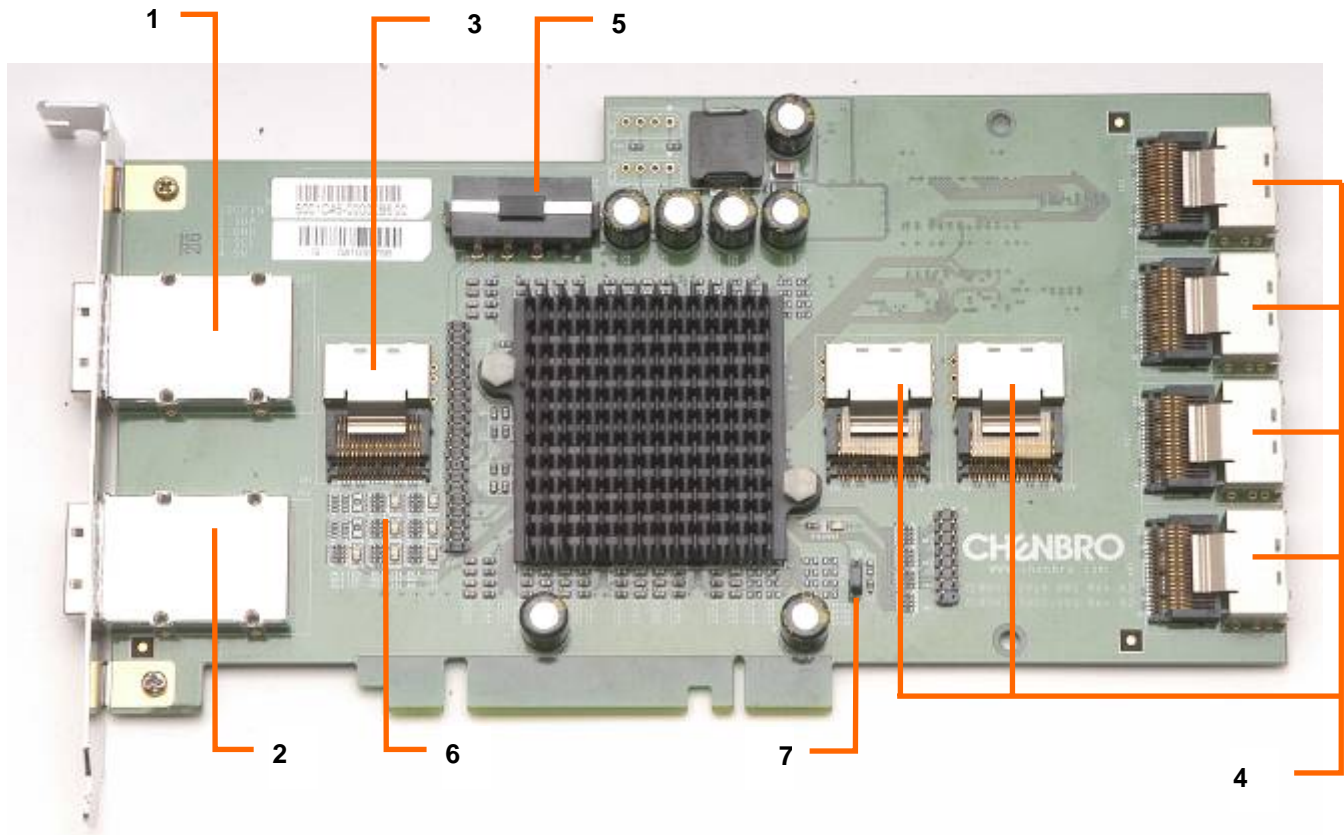
SAS expander card must be used only with SAS RAID card such as LSI Logic MegaRAID SAS 8888ELP






The supported HDD quantity is depended on the capability of the SAS RAID card in the system.

SAS Expander Card Hardware

SAS Expander Card Layout



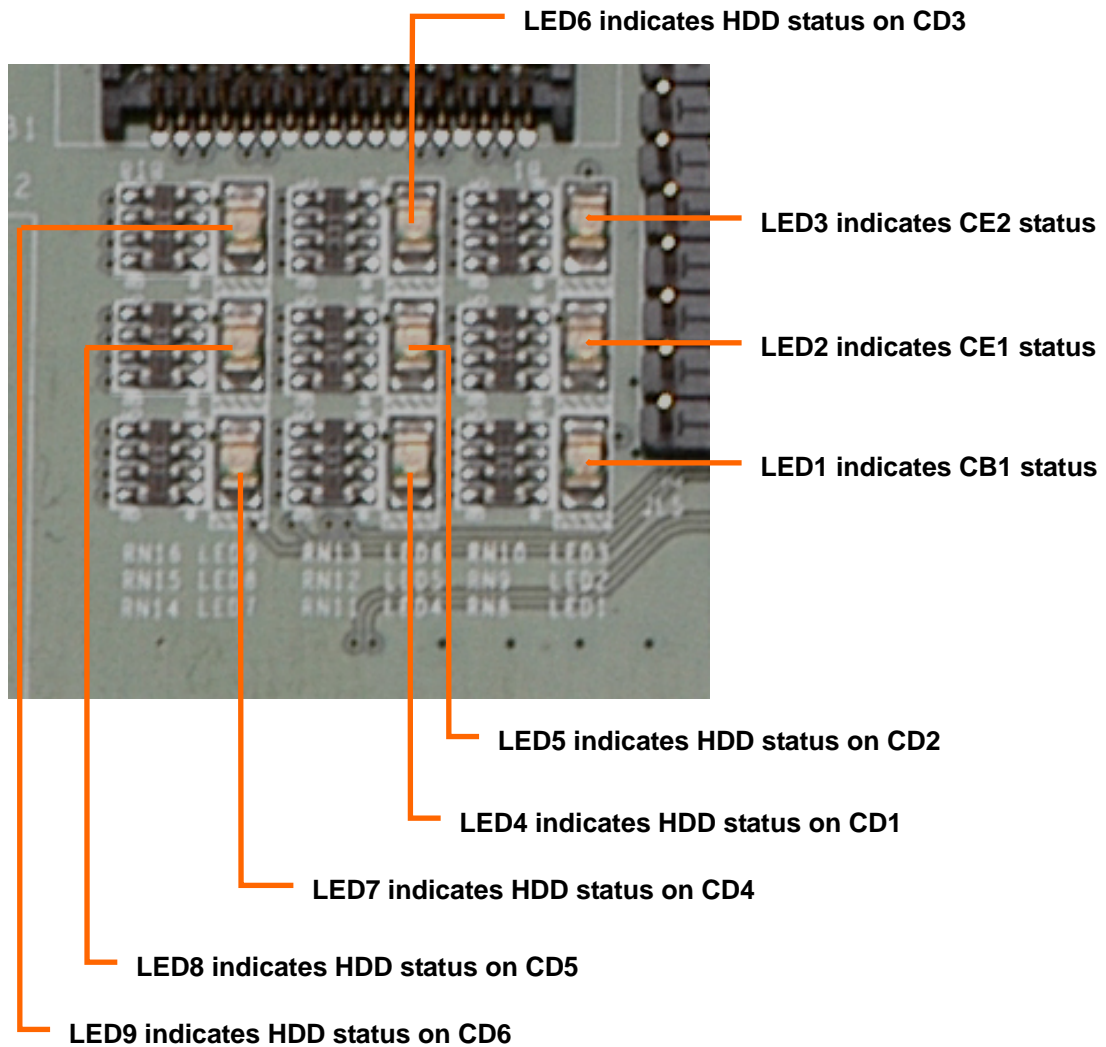
No.	Components	Description	Function
1	CE1	Mini-SAS SFF-8088 Connector – External Input	Input from Host
2	CE2	Mini-SAS SFF-8088 Connector – External Output	Output to Storage Center
3	CB1	Mini-SAS SFF-8087 Connector – Internal Input	Input from SAS RAID Card
4	CD1~CD6	Mini-SAS SFF-8087 Connectors – Internal Output	Output to SAS / SATA-II HDDs
5	CN3	DC in, 4-Pin Connector	From Power Supplier
6	LED1~LED9	Device LEDs	Refer to page 10
7	CN9	Firmware Setting Jumper	Firmware function selection, refer to page 10

Mini-SAS Cable Connector Type		
	 <p>SFF-8087</p>	 <p>SFF-8088</p>

www.chenbro.com

Device LED Definition

The following picture shows the relations between LED and device connector.



Green LED blinking indicate the data transferring

Firmware Setting Jumper

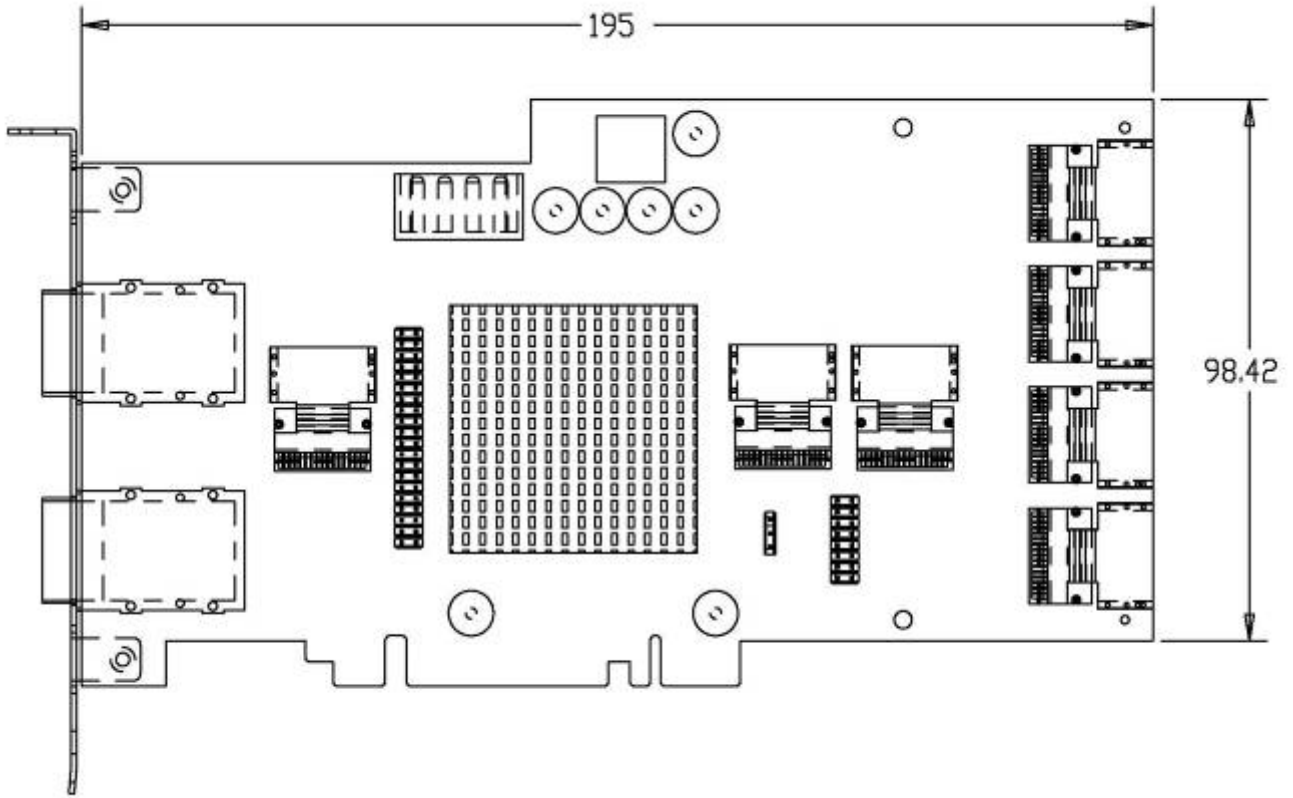
Jumper set on pin 1 & 2: Enable the upgraded firmware version (Default setting)



Default setting

Jumper set on pin 2 & 3: Enable the original firmware version

Mechanical Dimension



Mini-SAS Cables

The Mini-SAS backplane provides most benefits to users using the same backplane to support various SAS/SATA RAID card via different conversion cables. Chenbro provides various cables for different interfaces which include the followings:



(A)

SFF-8087 to SFF-8470



(B)

SFF-8087 to SFF-8087



(C)

SFF-8087 to 4 SATA



(D)

4 SATA to SFF-8087



(E)

SFF-8484 to SFF-8087



(F)

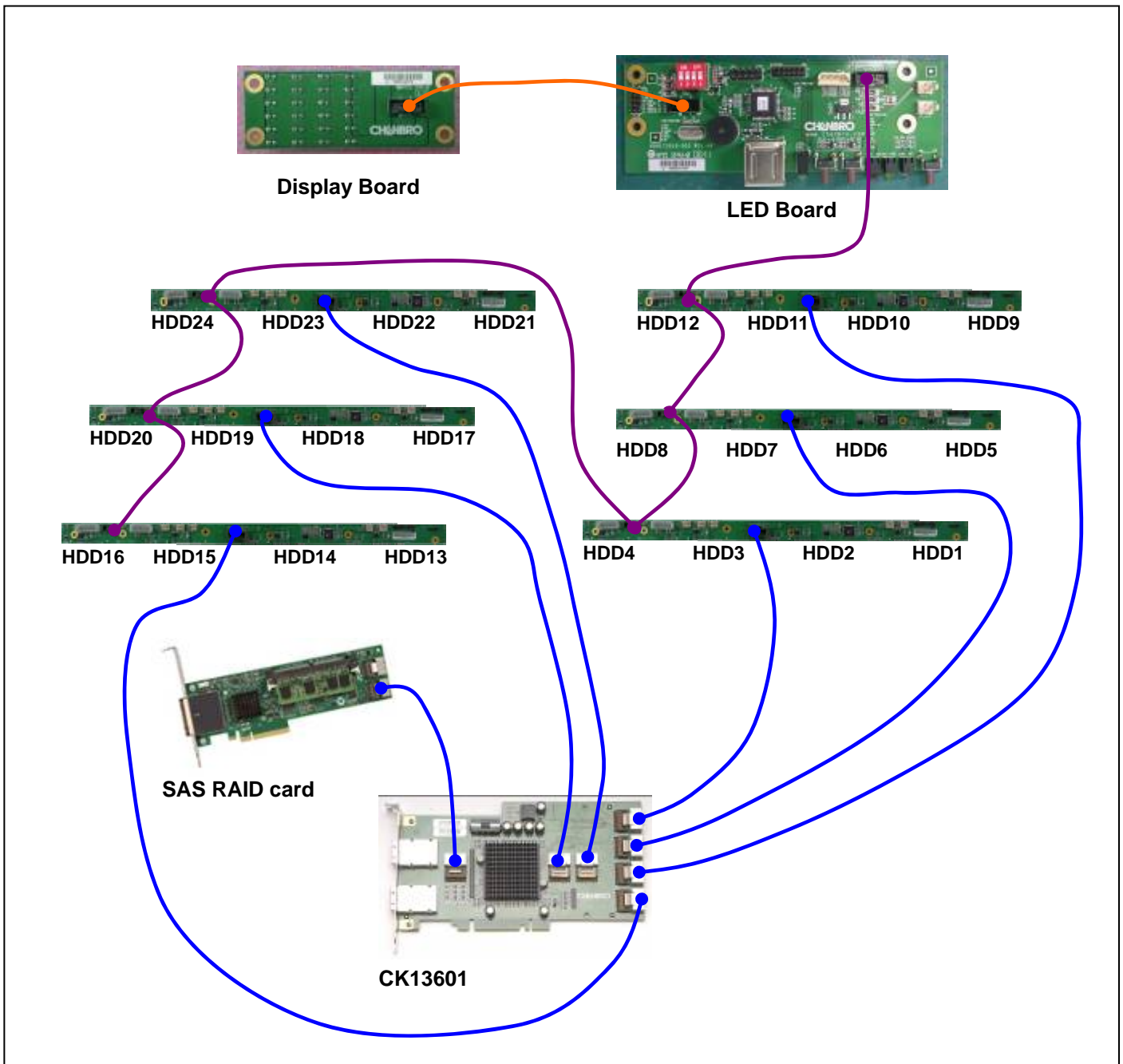
SFF-8088 to SFF-8088

Table of Mini-SAS cable solution

Cable Type	Connector		P/N	Length
	BP side	Host side		
A	Mini-SAS (SFF-8087 36pin)	Infiniband / Multilane (SFF-8470)	26H113215-011	600 mm
B1	Mini-SAS (SFF-8087 36pin)	Mini-SAS (SFF-8087 36pin)	26H113215-027	200 mm
B2	Mini-SAS (SFF-8087 36pin)	Mini-SAS (SFF-8087 36pin)	26H113215-028	350 mm
B3	Mini-SAS (SFF-8087 36pin)	Mini-SAS (SFF-8087 36pin)	26H113215-029	500 mm
B4	Mini-SAS (SFF-8087 36pin)	Mini-SAS (SFF-8087 36pin)	26H113215-030	600 mm
C	Mini-SAS (SFF-8087 36pin)	SATA-7Pin x4	26H113215-010	600 mm
D	SATA-7Pin x4	Mini-SAS (SFF-8087 36pin)	26H113215-009	450 mm, 500 mm 650 mm, 750 mm
E	Mini-SAS (SFF-8087 36pin)	Wide-Port SAS (SFF-8484 R/A)	26H113215-026	600 mm
F	Mini-SAS (SFF-8088 36pin)	Mini-SAS (SFF-8088 36pin)	26H113325-003	860 mm






Chassis Assembly Example

Example for Host Application (RM51424 / RM51924B)



- Mini-SAS cable (SFF-8087 to SFF-8087)
- LED board signal cable (for Backplane)
- LED board signal cable (for LED Board)

Compatible SAS RAID Cards

Manufacture	Model Number	Maximum Physical Drives per Controller	Verified RAID Card Firmware Version
	SRCSASRB	32	1.20.22_0495
	SRCSASJV	240	1.20.72_0562
	MegaRAID SAS 84016E	122	1.12.220-0560
	MegaRAID SAS 8708ELP	16	1.20.72-0562
	MegaRAID SAS 8708EM2	16	1.20.72-0562
	MegaRAID SAS 8888ELP	240	1.20.42-0525
	ARC-1680LP	128	1.45
	ARC-1680ix Series	128	1.45
	9690SA series	128	4.06.00.006
	3xx5 series	128	5.2.0.15753
	5xx45 series	256	5.2.0.16343